

LAKE TOXAWAY FIRE DEPARTMENT

PUMPER

TID NO. 13531



BODY

- Bolted Painted Stainless Steel Body
- Painted Stainless Steel Swing-Out Doors
- Rear Slide-In Ladder and Pike Pole Storage
- Rear Slide-In Hard Suction Storage
- Storage for 12 SCBA Bottles in Wheel Wells
- Upper Body Coffin Compartments
- Roll-Out Storage Trays
- In-Compartment Mounted SCBA Brackets
- Swing-Out Tool Board

CHASSIS

- Freightliner SD114 2-Door 4x4
- Cummins ISX 500 HP Engine
- 4000 EVS Transmission
- Custom Lettering and Striping

TANK

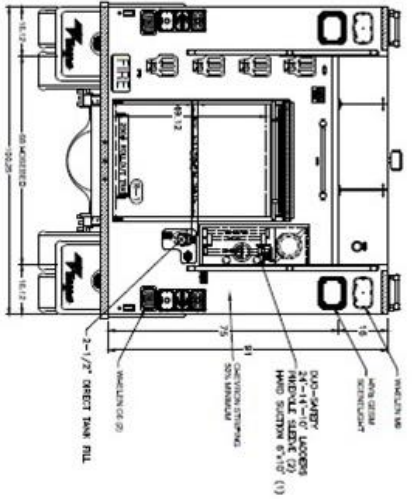
- 1250 Gallon UPF Tank
- ICI SL Plus Tank Gauge
- Rear 2.5" Direct Tank Fill

PUMP

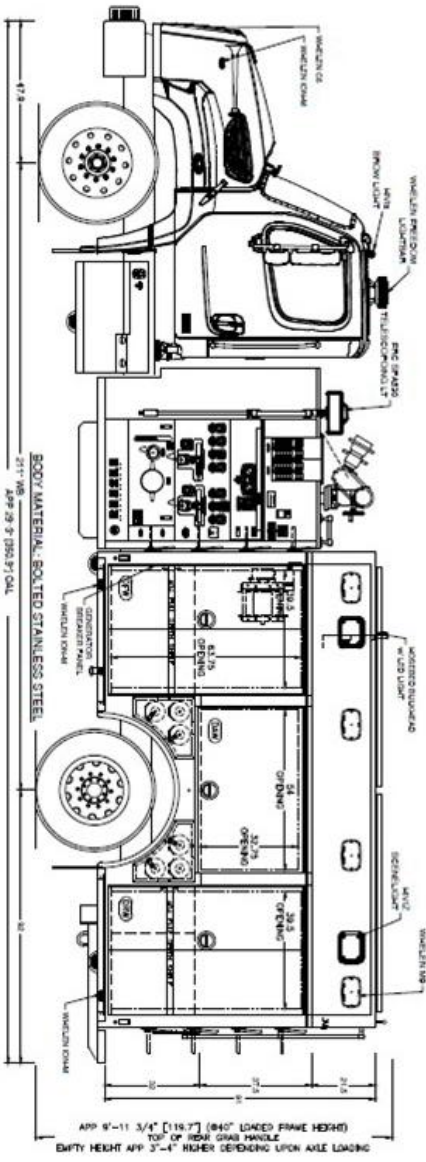
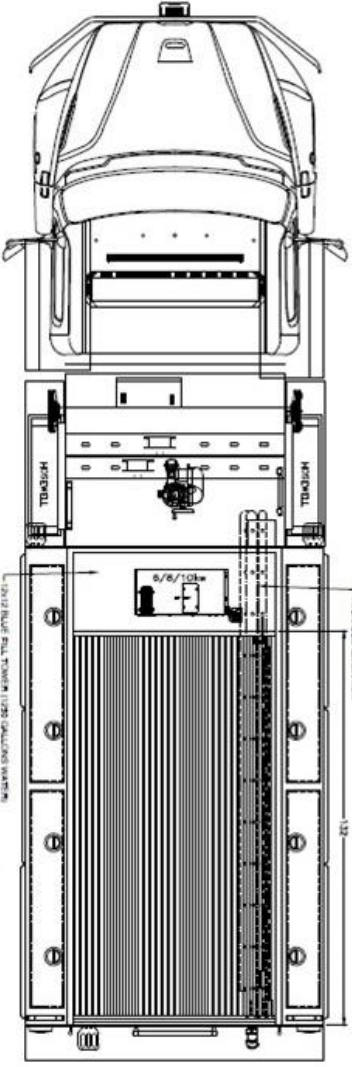
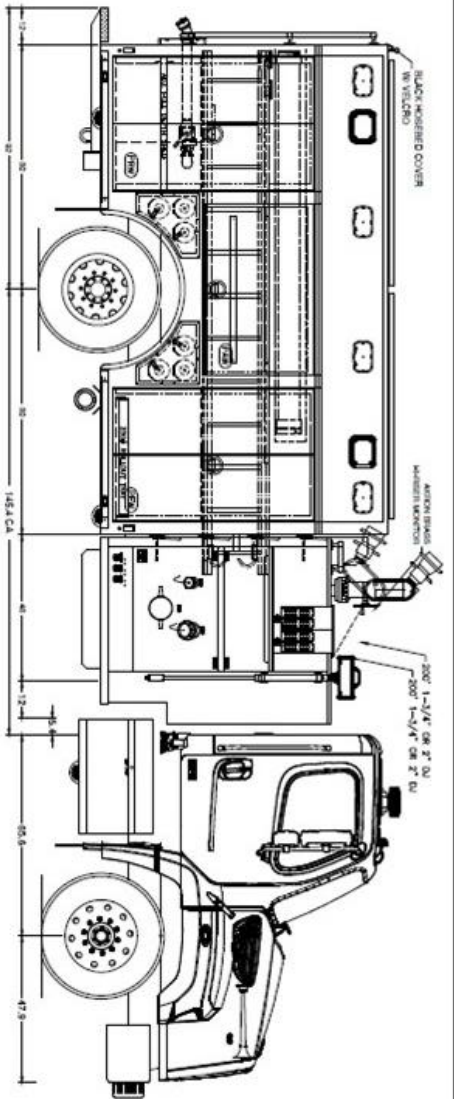
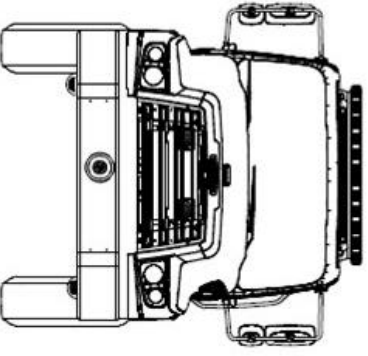
- Hale Qmax 1500 GPM Pump
- Fire Research Pump Boss Pressure Governor
- (2) 1.75" Crosslays
- Left side: (2) 2.5" Discharges
2.5" Intake
Master Intake
- Right side: 2.5" Discharge
3" Discharge
Master Intake
- Hosebed 2.5" Discharge
- Akron Hi-Riser Monitor

ELECTRICAL

- Hi Viz FT-GESM Scene Lights
- Whelen Warning Lighting
- Fire Research SPA530-Q15 Telescoping Lights
- Fire Tech Hi Viz 46" LED Brow Light
- Onan 6000 Watt Generator
- Electric Cord Reel ILLI LED Strip Compartment Lighting



COMP	HEIGHT	WIDTH	USABLE DEPTH		GRADE	FT
			UPPER	LOWER		
GVW	67.12	67.05	14	26	28	15.12
GVN	67.12	67.05	14	26	28	15.12
OSW	67.12	44.00	14	26	28	32.45
PSW	67.12	47.88	14	26	28	35.35
PAM	57.12	63.25	14	—	—	19.18
PRW	67.12	44.00	14	—	28	32.45
R-1	57.12	44.00	—	—	—	32.48
HOSEBED	16	68	—	132	—	83.11
FRONT X-LAY	16	7.5	—	73.75	—	5.12
REAR X-LAY	16	7.5	—	73.75	—	5.12



ORIGINAL DRAWING 19APR22 CHASSIS: FREIGHTLINER SD114SBA 2DOOR EZ SCALE: 1:166 SHEET: A

ISR 2AUN22 WB-CAF: 211'-145 4'-47" D17 CITY: LAKE TOXAWAY

CO-1 09NOV22 BODY MATL: BOLTED STAINLESS STEEL STATE: NC

AS BUILT A/W 09MAY23 PUMP: HALE QMAX 1500 D/R: MEL

TANK: 1250 UPE POLY TANK III CAD: GROSSMAN

FOAM SYSTEM: N/A DATE: 19 APRIL 2022

LAKE TOXAWAY
CUSTOM PUMPER

Toyne
BREDA, IA 51436
800 648 3358
WWW.TOYNE.COM

NOTE:
DIMENSIONS SHOWN ARE APPROXIMATE AND ARE SUBJECT TO MINOR CHANGE AS MAY BE FOUND NECESSARY DURING CONSTRUCTION. MINOR DETAILS MAY NOT BE SHOWN. IF DISCREPANCIES EXIST BETWEEN THIS DRAWING AND THE WRITTEN SPECIFICATIONS PROVIDED BY TOYNE, THE WRITTEN SPECIFICATIONS SHALL PREVAIL.